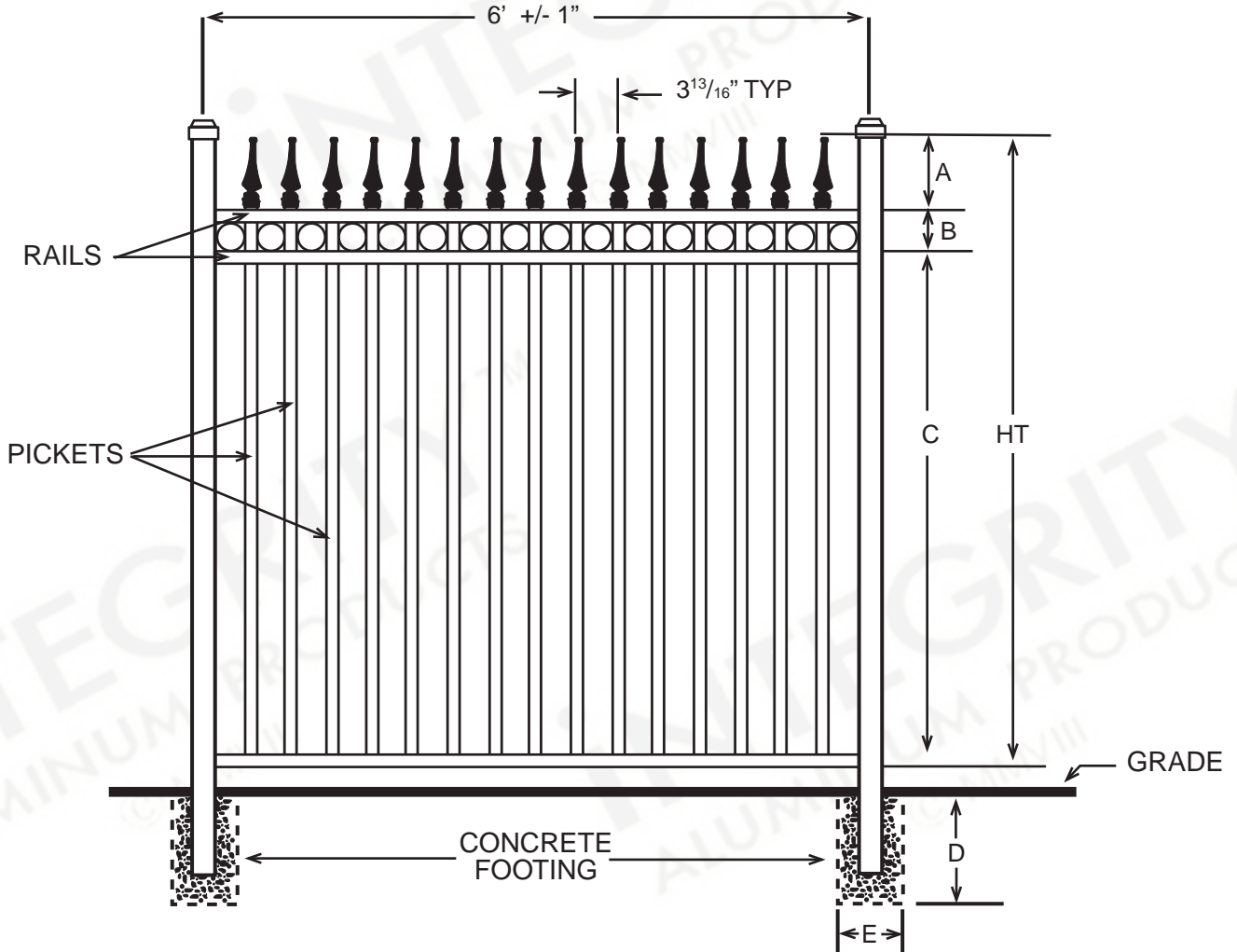


INTEGRITY™

ALUMINUM PRODUCTS

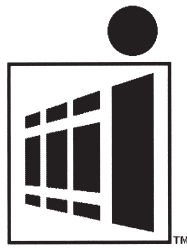
800.762.8876



CAMELOT™ RESORT

DIMENSIONS					
HT	A	B	C	D	E
3'	4½"	4½"	27"	Per Local Code	
3½'	4½"	4½"	33"	Per Local Code	
4'	4½"	4½"	39"	Per Local Code	
5'	4½"	4½"	51"	Per Local Code	
All Dimensions Are Nominal					

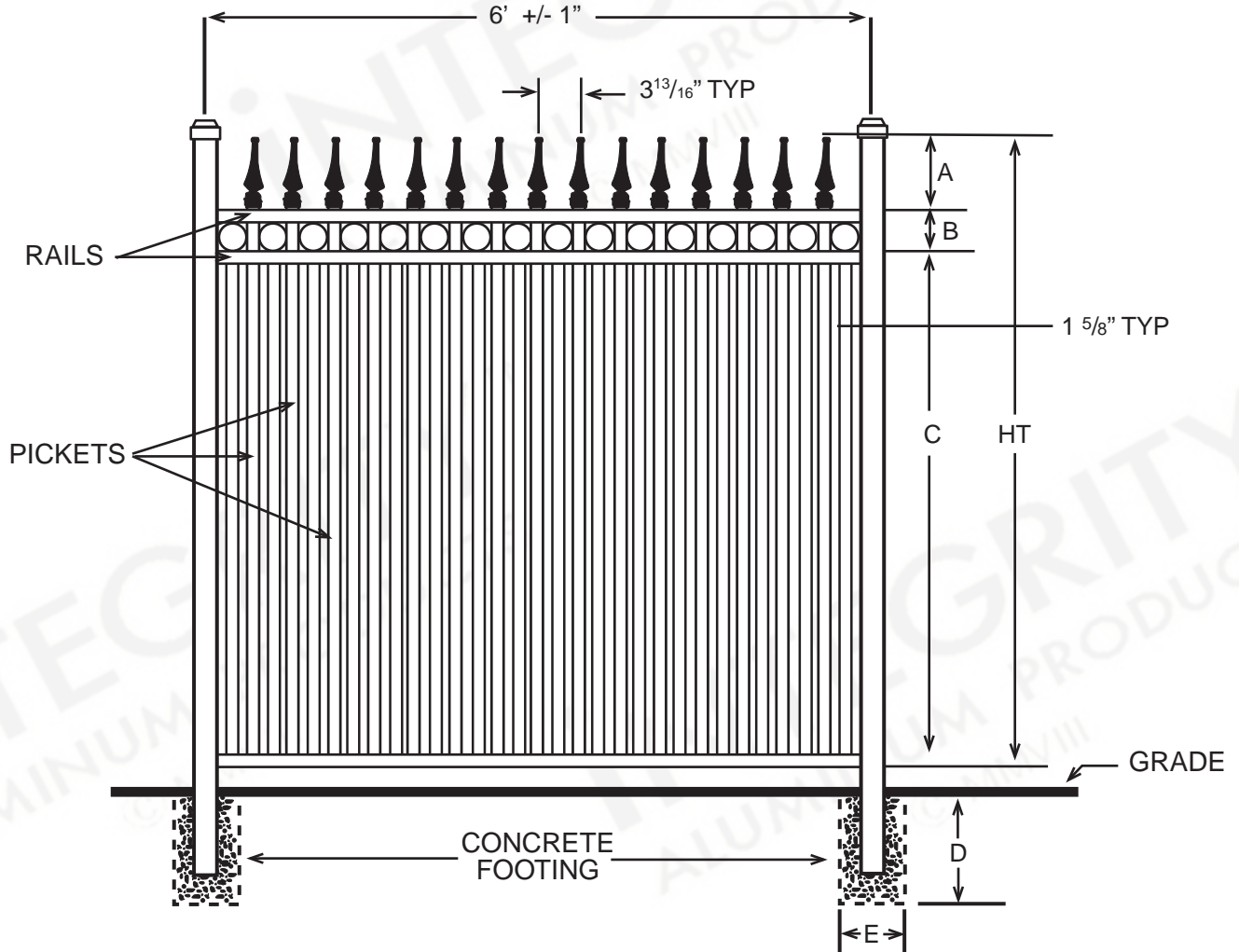
SPECIFICATIONS RESIDENTIAL	
Posts Available	2" x 2" x .060 Wall 2" x 2" x .080 Wall 2" x 2" x .125 Wall 2½" X 2½" X .100 Wall
Horizontal Rails Side Walls Top Walls	1⅛" x 1" .082" .062"
Pickets Picket Spacing	⅝" x ⅝" x .050 Wall 3 ¹³ / ₁₆ "
Heights Available	3, 3½, 4 & 5 Ft.



INTEGRITY™

ALUMINUM PRODUCTS

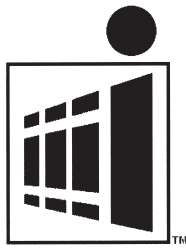
800.762.8876



CAMELOT™ RESORT EXTREME

DIMENSIONS					
HT	A	B	C	D	E
3'	4½"	4½"	27"	Per Local Code	
3½'	4½"	4½"	33"	Per Local Code	
4'	4½"	4½"	39"	Per Local Code	
5'	4½"	4½"	51"	Per Local Code	
All Dimensions Are Nominal					

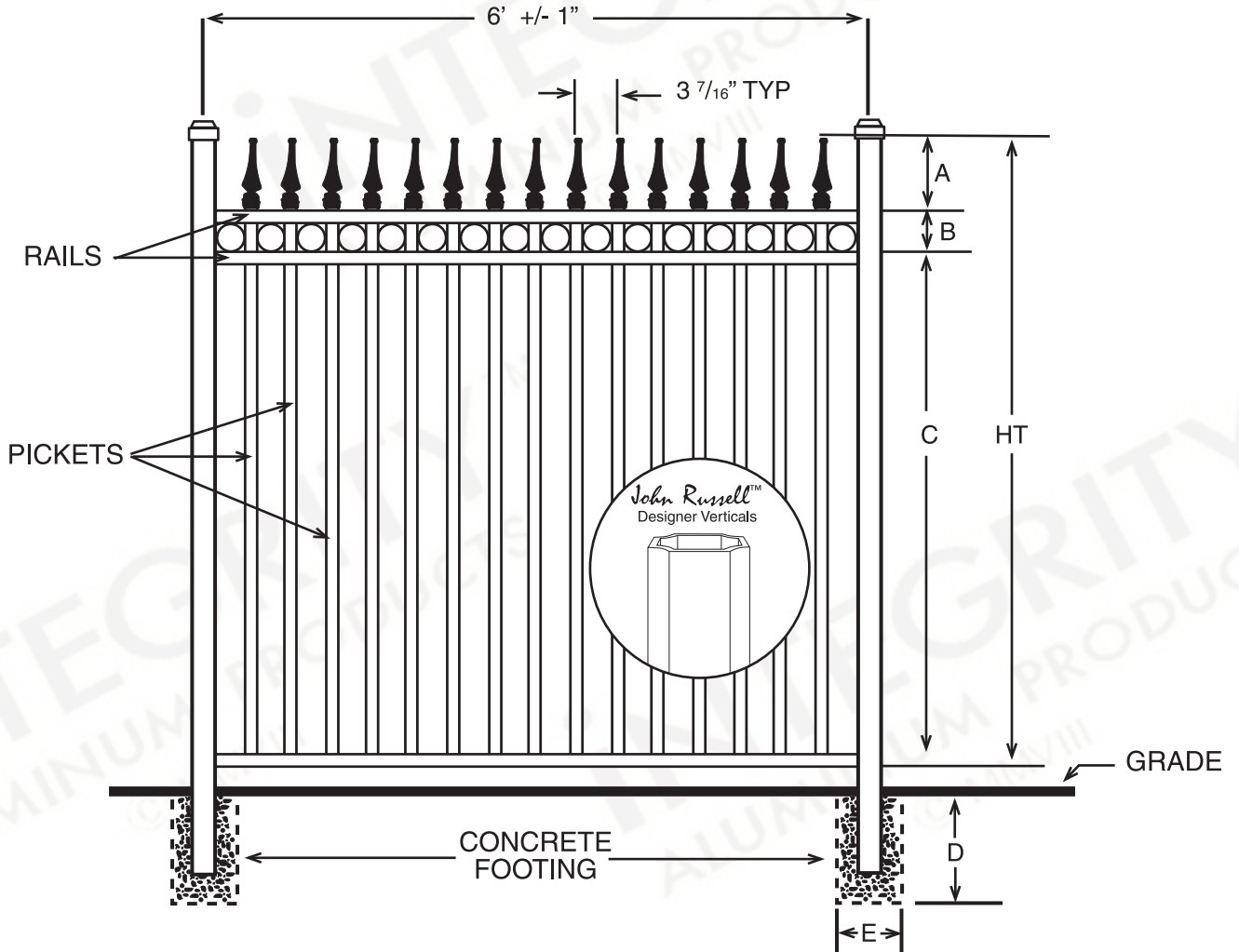
SPECIFICATIONS RESIDENTIAL	
Posts Available	2" x 2" x .060 Wall 2" x 2" x .080 Wall 2" x 2" x .125 Wall 2½" X 2½" X .100 Wall
Horizontal Rails Side Walls Top Walls	1⅛" x 1" .082" .062"
Pickets Picket Spacing	⅝" x ⅝" x .050 Wall 1⅝"
Heights Available	3, 3½, 4 & 5 Ft.



INTEGRITY™

ALUMINUM PRODUCTS

800.762.8876



CAMELOT™

John Russell™ Designer Verticals

DIMENSIONS

HT	A	B	C	D	E
3'	4½"	4½"	27"	Per Local Code	
3½'	4½"	4½"	33"	Per Local Code	
4'	4½"	4½"	39"	Per Local Code	
5'	4½"	4½"	51"	Per Local Code	
All Dimensions Are Nominal					

SPECIFICATIONS DESIGNER RESORT

Posts Available	2" x 2" x .060 Wall 2" x 2" x .080 Wall 2" x 2" x .125 Wall 2½" X 2½" X .100 Wall
Horizontal Rails Side Walls Top Walls	1⅛" x 1" .082" .062"
Pickets Picket Spacing	1" x ⅝" x .062 Wall 3 ⅞"
Heights Available	3, 3½, 4 & 5 Ft.